



### Model Number

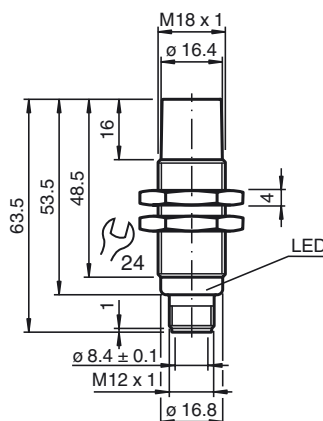
#### IQT1-18GM-IO-V1

HF read/write station with IO-Link in accordance with ISO 15693

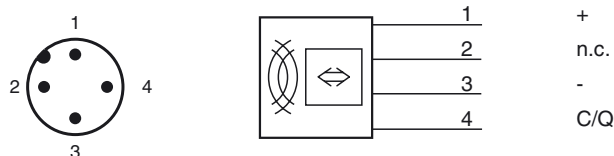
### Features

- Operating frequency 13.56 MHz
- IO-link interface
- Conforms to ISO 15693
- Suitable for FRAM transponder
- LEDs as function indicators
- Read/write head with thread M18 x 1
- Connection via V1 (M12 x 1) plug connection
- Degree of protection IP67
- For connection to IO-Link master

### Dimensions



### Electrical connection



### Technical data

#### General specifications

Operating frequency	13.56 MHz
Transfer rate	26 kBit/s
Sensing range	
Read distance	0 ... 50 mm
Write distance	0 ... 50 mm
Width	max. 45 mm
UL File Number	E87056

#### Indicators/operating means

LED red/green	Green: power on Flashing green: IO-Link communication Flashing red/green: IO-Link communication interrupted
LED blue/yellow	Blue: Write/read attempt performed Yellow: Read/write tag detected

#### Electrical specifications

Rated operating voltage	$U_e$	20 ... 30 V DC , ripple 10 % <sub>SS</sub>
Power consumption	$P_0$	≤ 2 W

#### Interface

Interface type	IO-Link
Protocol	IO-Link V1.1
Cycle time	min. 4 ms
Mode	COM 3 (230.4 kBaud)
Process data width	32 Byte
SIO mode support	no

#### Directive conformity

Electromagnetic compatibility	
Directive 2014/30/EU	EN 61000-6-2:2005 EN 61000-6-4:2007
Radio and telecommunication terminal equipment	
Directive 2014/53/EU	EN 301489-1 V1.9.2:2011 EN 301489-3 V1.6.1:2013 EN 300330 V2.1.1:2017 EN 62368-1:2014+AC:2015 EN 50364:2010

#### Standard conformity

Degree of protection	EN 60529:2000
RFID	ISO/IEC 15693-2:2006 ISO/IEC 15693-3:2009 ISO/IEC 18000-3:2010

Ambient conditions	
Ambient temperature	-25 ... 70 °C (-13 ... 158 °F)
Storage temperature	-40 ... 85 °C (-40 ... 185 °F)
Mechanical specifications	
Degree of protection	IP67
Connection	M12 x 1 connector
Material	
Housing	PBT/stainless steel
Encapsulation compound	CY 221/HY 2966
Installation	non-flush
Distance between two heads	≥ 80 mm
Mass	approx. 25 g
Approvals and certificates	
UL approval	cULus Listed, Class 2 Power Source, Type 1 enclosure
FCC approval	This device complies with part 15 of the FCC rules. Operation is subject to the following two conditions: (1) This device may not cause harmful interference, and (2) This device must accept any interference received, including interference that may cause undesired operation. <b>Caution:</b> Changes or modifications not expressly approved by the party responsible for compliance could void the user's authority to operate the equipment.
IC approval	This device complies with Industry Canada licence-exempt RSS standard(s) and with part 15 of the FCC Rules. Operation is subject to the following two conditions: (1) this device may not cause interference, and (2) this device must accept any interference, including interference that may cause undesired operation of the device.  Le présent appareil est conforme aux CNR d'Industrie Canada applicables aux appareils radio exempts de licence. L'exploitation est autorisée aux deux conditions suivantes : (1) l'appareil ne doit pas produire de brouillage, et (2) l'utilisateur de l'appareil doit accepter tout brouillage radioélectrique subi, même si le brouillage est susceptible d'en compromettre le fonctionnement.
Radio approval	USA: FCC IREIQT118GMIO Canada: IC 7037A-IQT118GMIO

## Notes

This equipment has been tested and found to comply with the limits for a Class A digital device, pursuant to part 15 of the FCC Rules. These limits are designed to provide reasonable protection against harmful interference when the equipment is operated in a commercial environment. This equipment generates, uses, and can radiate radio frequency energy and, if not installed and used in accordance with the instruction manual, may cause harmful interference to radio communications. Operation of this equipment in a residential area is likely to cause harmful interference in which case the user will be required to correct the interference at his own expense.

## Accessories

### ICE1-8IOL-G60L-V1D

Ethernet IO-Link module with 8 inputs/outputs

### IO-Link-Master02-USB

IO-Link master, supply via USB port or separate power supply, LED indicators, M12 plug for sensor connection

### V1-G-0,3M-PVC-V1-G

Connecting cable, M12 to M12, PVC cable 4-pin

### V1-G-5M-PVC-V1-G

Connecting cable, M12 to M12, PVC cable 4-pin

### V1-G-10M-PVC-V1-G

Connecting cable, M12 to M12, PVC cable 4-pin

### IQC21-8 10pcs

Data carrier

### IQC21-10 10pcs

Data carrier

### IQC21-12 50pcs

Data carrier

### IQC21-12.4 10pcs

Data carrier

### IQC21-16 50pcs

Data carrier

### IQC21-30 25pcs

Data carrier

### IQC21-50 25pcs

Data carrier

### IQC24-15 10pcs

Data carrier

### IQC24-50F 10pcs

Data carrier

### IQC33-10 10pcs

Data carrier

### IQC33-20 50pcs

Data carrier

### IQC33-30 25pcs

Data carrier

### IQC33-50 25pcs

Data carrier

### IQC37-30

Data carrier