

Heatsink

For stud devices

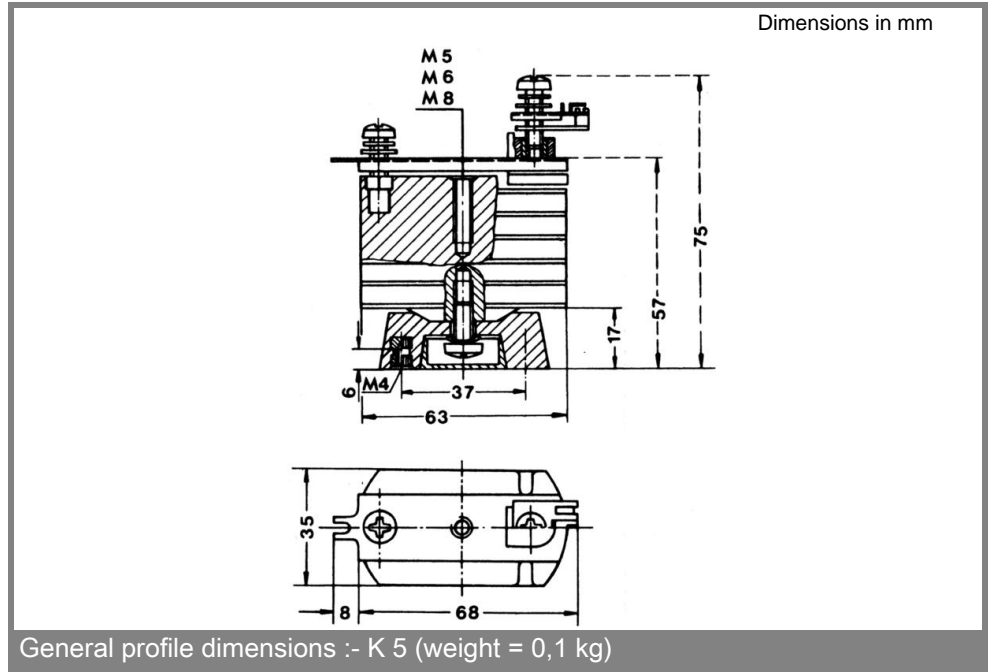
K 5

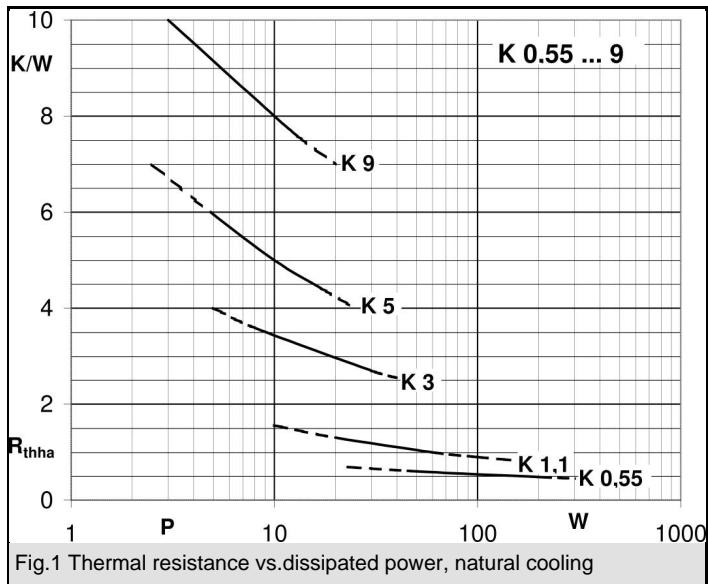
Publish Data

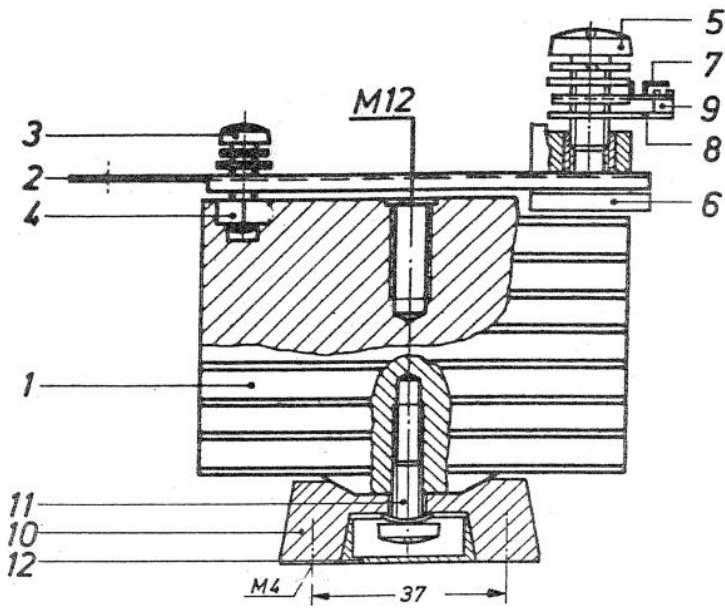
Features

- Intended for stud mounted devices
- Mounting points are provided for additional accessories
- DIN standard series

Standard lengths	n	b / d Ø mm	R_{thca} natural cooling K/W	$R_{thca} (V_{air}/t)$ forced air cooling K/W	w kg
K 5 - M 8			5,25 (10W)		0,1







- 1. Heatsink
 - 2. Negative contact plate
 - 3. Fillister head screw
(AM6 x 16 Z4-1 DIN 7985 - 4.8)
 - 4. 6-kt. Nut (M6 DIN 934 - 8)
 - 5. Fillister head screw
(AM8 x 16 Z4-1 DIN 7985 - 4.8)
 - 6. Isolating base
 - 7. Positive contact plate
 - 8. Gate connector to PCB
 - 9. Soldering point
 - 10. Component base
 - 11. Fillister head screw
(AM6 x 16 Z3 DIN 7985 - 4.8)
 - 12. Sealing plug
- } for Thyristor studs

Possible configurations

- Heatsink + B: (Parts 1-4)
- Heatsink + I: (Parts 1-6)
- Heatsink + I + S: (Parts 1-6,10-12)
- Heatsink + S: (Parts 1-4,10-12)
- Heatsink + I + T: (Parts 1-9)
- Heatsink + I + S + T: (Parts 1-12)

Standard assemblies / accessories for heatsinks K 5