

Surge Trap DIN rail TVSS

Voltage Configuration	Wires	Protection Modes	Catalog Number
120V Single Phase	2 Wire +Grnd	L-N / L-G Only	ST1201PG (M)
230V Single Phase	2 Wire +Grnd	L-N / L-G Only	ST2301PG (M)
277V Single Phase	2 Wire +Grnd	L-N / L-G Only	ST2771PG (M)
120/208V Split Phase	3 Wire +Grnd	L-L/L-N/L-G	ST208SPG (M)
120/240V Split Phase	3 Wire +Grnd	L-L/L-N/L-G	ST240SPG (M)
240/480V Split Phase	3 Wire +Grnd	L-L/L-N/L-G	ST480SPG (M)
120/208V 3-ph Wye	4 Wire +Grnd	L/L-N/L-G/N-G	ST2083PY (M)
120/208V 3-ph Wye	4 Wire +Grnd	L-L/L-N/L-G	ST2083PYG (M)
277/480V 3-ph Wye	4 Wire +Grnd	L/L-N/L-G/N-G	ST4803PY (M)
277/480V 3-ph Wye	4 Wire +Grnd	L-L/L-N/L-G	ST4803PYG (M)
347/600V 3-ph Wye	4 Wire +Grnd	L/L-N/L-G/N-G	ST6003PY (M)
347/600V 3-ph Wye	4 Wire +Grnd	L-L/L-N/L-G	ST6003PYG (M)
240V 3-ph Delta	3 Wire +Grnd	L-L Only	ST2403PD (M)
240V 3-ph Delta	3 Wire +Grnd	L-L / L-G	ST2403PDG (M)
480V 3-ph Delta	3 Wire +Grnd	L-L Only	ST4803PD (M)
480V 3-ph Delta	3 Wire +Grnd	L-L / L-G	ST4803PDG (M)



Ratings

- MCOV 150 to 550
- 50kA 8/20us Capacity per mode

Applications

- Transient Voltage Surge Suppressors
- AC/DC Distribution
- High Voltage Power Supplies

- Telecom
- Motor Control Systems
- PLC Applications
- Power Transfer Equipment

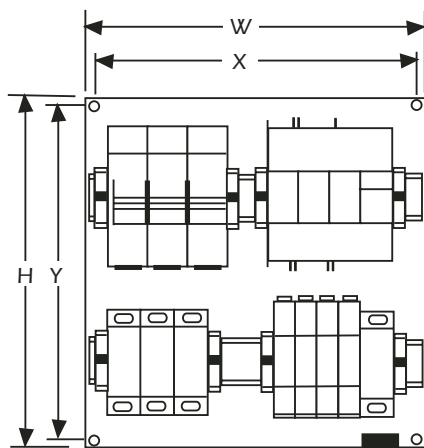
Approvals

- UL 1449 Second Edition Component Recognition

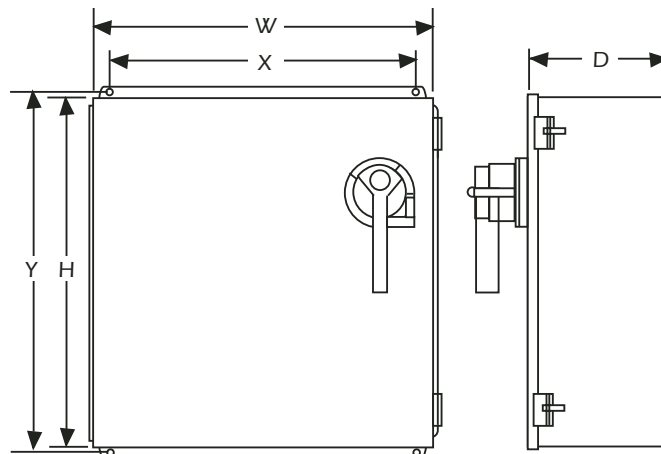
DPM (Drive Protection Module)



Voltage Rating	Configuration	Wires	Catalog Number	Ref Number	Pack
ENCLOSED DPM					
120	Single Phase	2 Wire + Grnd	DPM3J120P112		
208	3ph-Wye	4 Wire + Grnd	DPM3J208Y112		
240	3ph - Delta	3 Wire + Grnd	DPM3J240D112		
480	3ph-Wye	4 Wire + Grnd	DPM3J480Y112		
480	3ph - Delta	3 Wire + Grnd	DPM3J480D112		
208	3ph-Wye	4 Wire + Grnd	DPM6J208Y112		
240	3ph - Delta	3 Wire + Grnd	DPM6J240D112		
480	3ph-Wye	4 Wire + Grnd	DPM6J480Y112		
480	3ph - Delta	3 Wire + Grnd	DPM6J480D112		
120	Single Phase	2 Wire + Grnd	DPM3J120P4X(SS/NM)		
208	3ph-Wye	4 Wire + Grnd	DPM3J208Y4X(SS/NM)		
480	3ph-Wye	4 Wire + Grnd	DPM3J480Y4X(SS/NM)		
208	3ph-Wye	4 Wire + Grnd	DPM6J208Y4X(SS/NM)		
480	3ph-Wye	4 Wire + Grnd	DPM6J480Y4X(SS/NM)		
BACKPLANE ONLY					
120	Single Phase	2 Wire + Grnd	DPM3J120P		
208	3ph-Wye	4 Wire + Grnd	DPM3J208Y		
240	3ph - Delta	3 Wire + Grnd	DPM3J240D		
480	3ph-Wye	4 Wire + Grnd	DPM3J480Y		
480	3ph - Delta	3 Wire + Grnd	DPM3J480D		
208	3ph-Wye	4 Wire + Grnd	DPM6J208Y		
240	3ph - Delta	3 Wire + Grnd	DPM6J240D		
480	3ph-Wye	4 Wire + Grnd	DPM6J480Y		
480	3ph - Delta	3 Wire + Grnd	DPM6J480D		



BACKPLANE
(NON-ENCLOSED)



ENCLOSED

Ampere Rating	Enclosure Type	H		W		D		Y		X		Weight	
		In.	mm	In.	mm	In.	mm	In.	mm	In.	mm	Lb.	kg
30A	None (Backplane)	12.75	324	10.88	276	3.26	83	12.25	311	10.38	264	8	3.4
30 A	NEMA 1, 12,	14.00	356	12.00	305	6.18	157	14.75	375	10.00	254	24	10.9
30 A	NEMA 4X Stainless Steel	14.00	356	12.00	305	6.17	157	14.75	375	10.00	254	23	10.3
30 A	NEMA 4X Non-Metallic	15.32	389	13.30	338	6.70	170	14.75	375	10.00	254	16	7.3
60 A	None (Backplane)	14.75	375	12.88	327	5.71	145	14.25	362	12.38	314	9	3.9
60 A	NEMA 1, 12	16.00	406	14.00	356	8.18	208	16.75	425	12.00	305	33	14.8
60 A	NEMA 4X Stainless Steel	16.00	406	12.00	305	9.35	237	17.24	438	9.50	241	34	15.3
60 A	NEMA 4X Non-Metallic	17.31	440	15.30	389	8.19	208	16.75	425	12.00	305	18	8.2