

AD-type French utility standard fuses

Size	Current (A)	Voltage	Cat.Number	Ref. number	Pckg
10 x 38	15	440	10AD44V15	V216149J	10
14 x 51	15	440	14AD44V15	E222966J	10
14 x 51	30	440	14AD44V30	M200755J	10
22 x 58	15	440	22AD44V15	M222973J	10
22 x 58	30	440	22AD44V30	V200762J	10
22 x 58	45	440	22AD44V45	K201305J	10
22 x 58	60	440	22AD44V60	T201819J	10
00	45	440	00AD44V45	J223430J	10
00	60	440	00AD44V60	P223435J	10
00	90	440	00AD44V90	X223442J	10
10 x 38 neutral			FRN1038	R211569J	10
14 x 51 neutral			FRN1451	L228032J	10
22 x 58 neutral			FRN2258	M228033J	10



For cylindrical blade-style fuses: Please enquire.

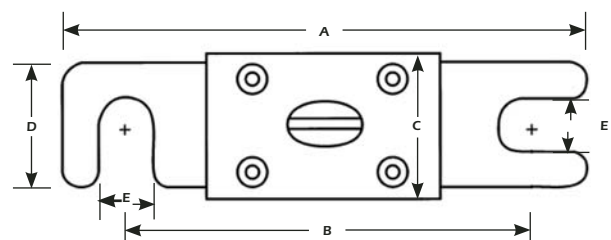
CNL fuses for batteries

Voltage (V)	Current (A)	Fuse holder Cat.Number	Fuse holder Ref. number
	35	CNL35 DIN	T216332E
	40	CNL40 DIN	L217360E
	50	CNL50 DIN	A218385E
	60	CNL60 DIN	E219424E
	80	CNL80 DIN	Y219947E
	100	CNL100 DIN	K201995E
	125	CNL125 DIN	K211218E
	130	CNL130 DIN	A211738E
80VAC/DC	150	CNL150 DIN	J212252E
	175	CNL175 DIN	W212769E
PdC: 2500A	200	CNL200 DIN	J213287E
	225	CNL225 DIN	A213785E
	250	CNL250 DIN	J214299E
	275	CNL275 DIN	J214805E
	300	CNL300 DIN	L215313E
	325	CNL325 DIN	P215822E
	350	CNL350 DIN	X216841E
	400	CNL400 DIN	T217873E
	500	CNL500 DIN	Q218905E
Fuse base		SFBT	A092092C



Dimensions

	A mm	B mm	C mm	D mm	E mm
CNL DIN/CNN DIN	82	60	23 max	20	11



CNN fuses for batteries



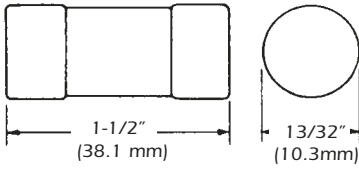
Voltage (V)	Current (A)	Fuse holder Cat.Number	Fuse holder Ref. number
130VAC 75VDC PdC : 2500A	10	CNN10 DIN	E228831
	35	CNN35 DIN	F228832
	40	CNN40 DIN	G228833
	50	CNN50 DIN	H228834
	60	CNN60 DIN	J228835
	80	CNN80 DIN	K228836
	90	CNN90 DIN	L228837
	100	CNN100 DIN	M228838
	125	CNN125 DIN	N228839
	150	CNN150 DIN	P228840
	175	CNN175 DIN	Q228841
	180	CNN180 DIN	N229874
	200	CNN200 DIN	R228842
	225	CNN225 DIN	S228843
	250	CNN250 DIN	T228844
275	CNN275 DIN	V228845	
300	CNN300 DIN	W228846	
130VAC 48VDC PdC : 2500A @48VDC	325	CNN325 DIN	X228874
	350	CNN350 DIN	Y228848
	400	CNN400 DIN	Z228849
	500	CNN500 DIN	A228850
	600	CNN600 DIN	B228851
	700	CNN700 DIN	C228852
800	CNN800 DIN	D228853	
Fuse base		SFBT	A092092

VSP for MOV Protection

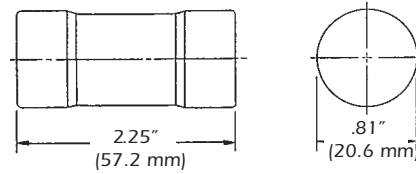
Voltage Rating (AC)	8x20 μ sec. surge rating	Body Size	Ferrules		Hole Mounting		Double Hole Mounting	
			Cat.Number	Ref.Number	Cat.Number	Ref.Number	Cat.Number	Ref.Number
600V	5	10x38	VSP5-2	G219886	VSP5-R	Consult us	VSP5-H	K230469
600V	10	10x38	VSP10-2	X217807	VSP10-R	E230464	VSP10-H	D230463
600V	15	10x38	VSP15-2	V230455	VSP15-R	H230467	VSP15-H	G230466
600V	20	10x38	VSP20-2	W218841	VSP20-R	G230416	VSP20-H	Consult us
600V	30	20x57	VSP30-2	X230457				
600V	40	20x57	VSP40-2	J211677				
600V	50	20x57	VSP50-2	W232250				
600V	60	20x57	VSP60-2	F212709				
600V	70	20x57	VSP70-2	G213722				
600V	80	20x57	VSP80-2	J214744				
600V	90	20x57	VSP90-2	X232251				
480V	100	20x57	VSP100-2	F201416				



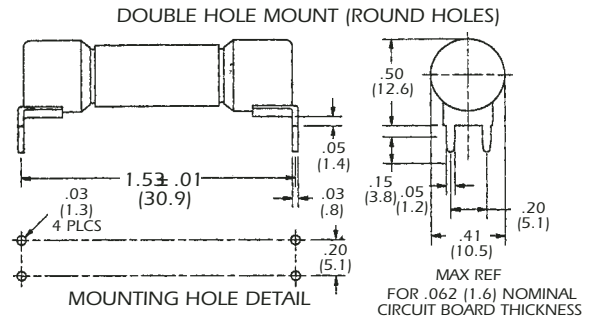
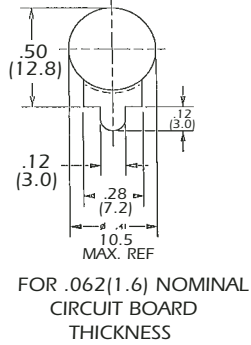
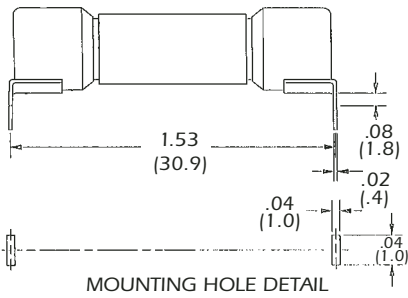
VSP (5-20)-2,R,H,S



VSP (30-100)-2



PC BOARD MOUNTING



Multi-meter Fuse

Voltage (V)	Rating (A)	Size	Cat. Number	Ref. Number	Weight (g)	Pack
1000	0.44	10x35	FSM44/100	W232480J	10	10
1000	11	10x38	FSM11	X232481J	10	10
1000	15	10x38	FSM15	Y232482J	10	10



US10 Fuse holder for VSP 5-2 to 20-2 & FSM

MODULOSTAR® Fuse holders

Nb of pole	Cat Number w/o indicator	Ref. Number w/o indicator	Cat Number with indicator	Ref. Number with indicator	Nb of Mod. 17.5 mm	Pck.
N	US10N	H305056K			1	12
1	US101	B305050K	US101I	J305057K	1	12
1+N	US101N	C305051F	US101NI	K305058F	2	6
2	US102	D305052F	US102I	L305059F	2	6
3	US103	E305053D	US103I	M305060D	3	4
3+N	US103N	F305054C	US103NI	N305061C	4	3
4	US104	G305055C	US104I	P305062C	4	3



Approvals

- UL Recognize for 1000Vdc