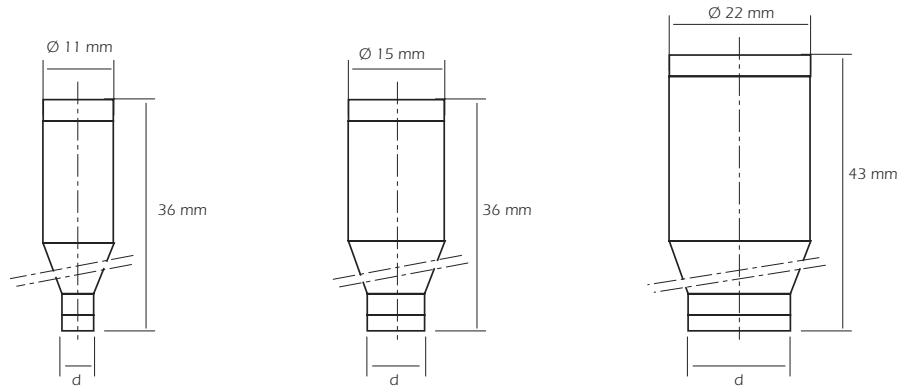


Neozed gG - D01, D02, D03 - 400Vac/250Vdc

Size	Current (A)	Color Code	Cat.Number	Ref. number	Pckg
D01	2	pink	D01GG40V2	T214676J	10
D01	4	brown	D01GG40V4	W200809J	10
D01	6	green	D01GG40V6	B215695J	10
D01	10	red	D01GG40V10	W211090J	10
D01	13	black	D01GG40V13	C201206J	10
D01	16	grey	D01GG40V16	R223023J	10
D02	20	blue	D01GG40V20	B217742J	10
D02	25	yellow	D01GG40V25	W213160J	10
D02	35	black	D01GG40V35	R219826J	10
D02	50	white	D01GG40V50	D215191J	10
D02	63	copper	D01GG40V63	C201873J	10
D03	80	silver	D01GG40V80	L216716J	10
D03	100	red	D01GG40V100	N212647J	10



Type	D01	D02	D03
plug diameters	E14	E18	M 30x2
d	There is a standardized diameter d for each fuse rating		

Neozed gG - D01,D02 - 440 Vac/250 Vdc fuses



For Marine application

Size	Rated current (A)	Gauge ring code	Cat. Number	Ref. number	Pckg
D01	2	pink	D01GG44V2	E218780P	50
D01	4	brown	D01GG44V4	V219829P	50
D01	6	green	D01GG44V6	X223028P	50
D01	10	red	D01GG44V10	S201358P	50
D02	20	blue	D02GG44V20	X212126P	50
D02	25	yellow	D02GG44V25	S213663P	50
D02	35	black	D02GG44V35	C214684P	50
D02	50	white	D02GG44V50	J215702P	50
D02	63	copper	D02GG44V63	N216718P	50



Neozed aM - D02 - 400Vac/400Vdc

Size	Current (A)	Color Code	Cat.Number	Ref. number	Pckg
D02 aM	20	blue	D02AM44V20	H211607J	10
D02 aM	25	yellow	D02AM44V25	F212640J	10
D02 aM	35	black	D02AM44V35	J213655J	10

Functions

gG industrial fuses – German DIN standard - D EN 60269-1 and 2-1 compliant.
New D0 standard on dimensions to mechanically ensure non-interchangeability of ratings by means of color coded gauge rings for different fuse diameters.
Protection of power cables and equipment except electric motors (gG) and of electric motors (aM).
Selective coordination between two fuses two ratings apart (e.g. 16A and 10A).

Applications

Protection at all levels of power distribution.
Mains, branch circuits, service entrance and point of use equipment (gG).
Protection for all low voltage electrical motors with direct-on-line start (aM).

Plastic screw caps for Neozed

400 Vac / 440 Vdc



Size	Rated current (A)	Cap thread	Cat. Number	Ref. number	Pckg
With testing hole					
D01	16	E 14	01714.000200	E212501L	20
D02	63	E 18	01715.000200	P211981L	20
For D01 fuses with adapter spring					
D02		E 18	01715.890200	M214026L	20
With sealable hole and testing hole					
D01	16	E 14	11714.000220	R214536L	20
D02	63	E 18	11715.000220	S214537L	20
W/o testing hole					
D02	63	E 18	01715.000000	L206435L	20

Porcelain screw caps for Neozed

400 Vac / 440 Vdc



Size	Rated current (A)	Cap thread	Cat. Number	Ref. number	Pckg
With testing hole					
D01	16	E 14	01710.000200	H201211L	20
D02	63	E 18	01711.000200	T215044L	20
W/o testing hole					
D03	100	M30 x 2	01712.000200	V215045J	10

Gauge ring for Neozed

Size	Rated current (A)	Cap Thread	Cat. Number	Ref. number	Pckg
D01	2	pink	01705.002000	J216576P	50
D01	4	brown	01705.004000	J219681P	50
D01	6	green	01705.006000	P206438P	50
D01	10	red	01705.010000	M213014P	50
D02	2	pink	01706.002000	K216577P*	50
D02	4	brown	01706.004000	S222127P*	50
D02	6	green	01706.006000	R211983P*	50
D02	10	red	01706.010000	H216069P*	50
D02	16	grey	01706.016000	Q218629P*	50
D02	20	blue	01706.020000	S200668P	50
D02	25	yellow	01706.025000	R213524P	50
D02	35	black	01706.035000	J216070P	50
D02	50	white	01706.050000	R218630P	50
D03	80	silver		T200669M	25



Innozed bases for Neozed fuses

Screw mounting 400 Vac

Size	Rated current (A)	Pole	Cat. Number	Ref. number	Weight (g)	Pckg
D01	16	1	02724.000000	R228175K.	75	12
D01	16	3	02734.000000	S228176D	223	4
D02	63	1	02725.000000	W228179K	77	12
D02	63	3	02735.000000	X228180D	229	4



Snap-on mounting with no protective cover 400 Vac

Size	Rated current (A)	Pole	Cat. Number	Ref. number	Weight (g)	Pckg
D01	16	1	02724.100000	F228257K	70	12
D01	16	3	02725.100000	K228261K	210	4
D02	63	1	02734.100000	G228258D	72	12
D02	63	3	02735.100000	L228262D	217	4

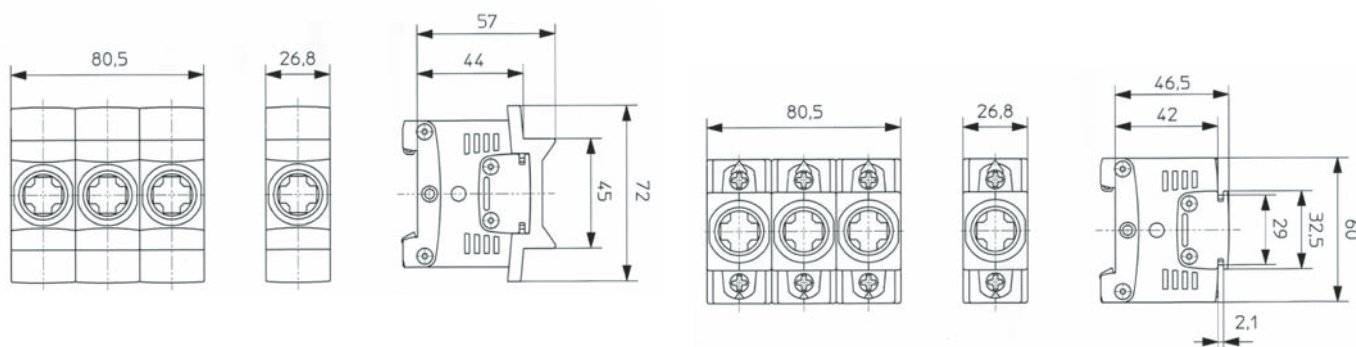


Covers for Innozed

Size	Rated current (A)	Pole	Cat. Number	Ref. number	Weight (g)	Pckg
D01/ D02		1	02718.000000	A228183AP	5	24
D01/ D02		3	02732.000000	B228184K	12	12



Dimensions of Innozed bases



Other bases for Neozed fuses

Screw mounting w/o cover for protection from accidental contact 400V AC



Size	Rated current (A)	Pole	Max. wire cross-section mm ²	Cat. number	Ref. Number	Pckg
D01	16	1 (1*)	4	01720.100000	Z216061L	20
D02	63	1 (2*)	25	01721.200000	M214532L	20
D02	63	1 (4*)	25	01721.400000	F213008L	20
D03	100	1 (4*)	50	01722.400000	J213011J	10
D01	16	3 (1*)	4	01730.100000	K200661E	5
D02	63	3 (2*)	25	01731.200000	F216573E	5
D02	63	3 (4*)	25	01731.400000	K206365E	5

Snap-on mounting w/o cover for protection from accidental contact 400V AC



Size	Rated current (A)	Pole	Max. wire cross-section mm ²	Cat. number	Ref. Number	Pckg
D01	16	1 (1*)	4	01720.150000	J200660L	20
D02	63	1 (2*)	25	01721.250000	J218623L	20
D02	63	1 (4*)	25	01721.450000	W215552L	20
D03	100	1 (4*)	50	01722.450000	Q214535J	10
D01	16	3 (1*)	4	01730.152000	B216063E	5
D02	63	3 (2*)	25	01731.252000	Y217601E	5
D02	63	3 (4*)	25	01731.452000	M211979E	5

Snap-on mounting with cover for protection from accidental contact



Size	Rated current (A)	Pole	Max. wire cross-section mm ²	Cat. number	Ref. Number	Pckg
D01	16	1 (1*)	4	01720.170000	B211463L	20
D01	16	1 (3*)	4	01720.370000	T215550L	20
D01	16	3 (1*)	4	01730.172000	A219144E	5
D02	63	1 (2*)	25	01721.270000	M200663L	20
D02	63	1 (4*)	25	01721.470000	K218624L	20
D02	63	3 (2*)	25	01731.272000	E222874E	5
D02	63	3 (4*)	25	01731.472000	K213518E	5
D03	100	1 (4*)	50	01722.470000	F216067J	10

Insulating covers for Neozed bases

Snap-on mounting 500Vac/690Vac

Type	Cat. Number	Ref. number	Pckg
for type DO1/DO2			
with marking on one side		M222881P	50
with marking area	01718.700000	V200670P	50
for type DO3			
w/o marking area	01728.000000	V211986AR	15
for type DO1/DO2			
cover	01721.030000	X201730L	20
for type DO1/DO2 3-pole			
with marking area	01732.700000	M216579L	20



3-pole fuse bases for Neozed

W/o protection against accidental contact 400 Vac

Size	Rated current (A)	Pole	Max. wire cross-section mm ²	Cat. Number	Ref. number	Pckg
Screw mounting						
D01	16	3	4	01737.100000	A212497E	5
D02	63	3	25	01738.200000	Z217602E	5
Snap-on mounting						
D01	16	3	4	01737.150000	E213007E	5
D02	63	3	25	01738.250000	B218110E	5



Single-pole fuse bases for Neozed

W/o protection against accidental contact 400 Vac

Size	Rated current (A)	Pole	Max. wire cross-section mm ²	Cat. Number	Ref. number	Pckg
Clamped mounting on 12 x 4...5mm, 15 x 4...5 mm busbar						
D02	63	1	25		P222124L	20
Clamped mounting on 12 x 4...10mm, 15 x 4...10 mm busbar						
D02	63	1	25		L218625L	20
Snap-on mounting on 15 x 5 mm busbar						
D02	63	1	25		G219679L	20

Clamped mounting



Snap-on mounting

Snap-on mounting w/o cover for protection from accidental contact 440 Vac

Size	Rated current (A)	Pole	Max. wire cross-section mm ²	Cat. Number	Ref. number	Pckg
D01	16	1	4	01720.150040	D201207L	20
D02	63	1	25	01721.250040	M222122L	20
D02	63	1	25	01721.450040	C216064L	20
D01	16	3	4	01730.152040	C216570E	5
D02	63	3	25	01731.252040	A218109E	5
D02	63	3	25	01731.452040	C212499E	5



Neozed holding spring



Size	Cat.Number	Ref. number	Pckg
For DO1 fuses in DO2 bases	01713.000000	Z215049P	50
For DO1 fuses in DO2 bases	01709.000000	P214028M	25
For DO1 fuses in DL bases	01733.000000	J218117Q	100

Neozed spacer



Size	Cat.Number	Ref. number	Pckg
For DO2 fuses in DO3 bases	01707.000000	T211985Y	30

Neozed Gauge ring key



Size	Cat.Number	Ref. number	Pckg
For DO1, DO2, DO3	01708.000000	J212505A	1

Neozed screw cap remover



Size	Cat.Number	Ref. number	Pckg
Plastic screw caps DO1, DO2	01716.000000	X222936A	1

Neozed locking caps



Size	Cat.Number	Ref. number	Pckg
DO1 supply boards (1)	01714.800000	D212546M*	25
DO1 Industry (2)	01714.810000	P213062M	25
DO2 supply boards (1)	01715.800000	R214582M*	25
DO2 Industry (2)	01715.810000	Y215094M	25

* For authorized power utility personnel only
1) red cap with black tip
2) black cap with red tip

Neozed locking keys

Size	Cat.Number	Ref. number	Pckg
DO2 supply boards		K213564J	10
DO2 Industry		J214069J	10

* For authorized power utility personnel only

Linocur switch disconnectors, for Neozed D02

Snap-on mounting on DIN rails as per DIN EN50022

Size	Pole	Number of modules	Max. wire cross-section (mm ²)	Cat. Number	Ref. Number	Pckg
up to 63 A*	1	1,5	35	04861.063000	P222883C	3
up to 63 A*	1+N	3	35	04861.063100	Z200674B	2
up to 63 A*	2	3	35	04862.063000	D215053B	2
up to 63 A*	3	4,5	35	04863.063000	T219690A	1
up to 63 A*	3+N	6	35	04863.063100	A214544A	1
Dummy fuse D02					F215055A	1



Adaptator spring D01/D02 (for D01 fuse-link) - E215049P

Made-to-order Linocur switch disconnectors for Neozed D02

440 Vac, D02

Snap-on mounting on top-hat rails as per DIN EN50022

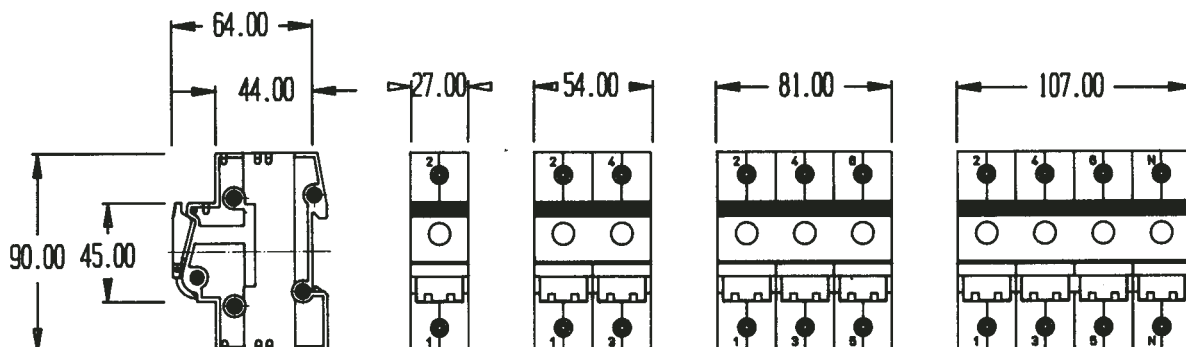
Size	Pole	Number of modules	Max. wire cross-section (mm ²)	Cat. Number	Ref. Number	Pckg
up to 63 A*	1	1,5	35	04861.063040	C215052C	3
up to 63 A*	2	3	35	04862.063040	N216074B	2
up to 63 A*	3	4,5	35	04863.063040	Z211990A	1
up to 63 A*	3+N	6	35	04863.063140	P216075A	1



* Linocur is available on request in 25, 35 and 50 A with permanently fitted and non-interchangeable adapter sleeves. In 1+N and 3+N versions, the N conductor leads when making and lags when breaking.

* Order Neozed fuses and adapter sleeves as options.

dimensions of Linocur switch disconnectors



Replacement insulating D0 LINOCUR

screw cap with testing hole



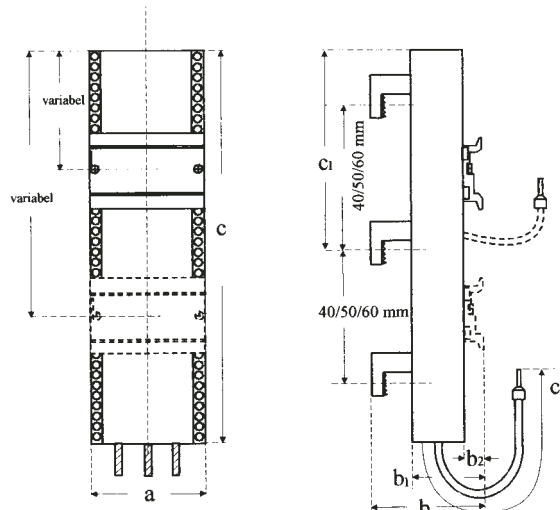
For bases	Rated current (A)	Rating / Color code	Cat. Number	Ref. number	Pckg
With testing hole					
D02	63	E18		C214546J	10
W/o testing hole					
D02	63	E18		Y213024J	10

Adapter for 40, 50 or 60 mm busbar systems



Size	Rated current (A)	Cap Thread	Cat. Number	Ref. number	Pckg
40 mm 3 x 63 A system					
Mono-A.	adjustable	1	02805.100000	E201783A	1
Mono-A.	adjustable	1	03805.400000	W219692A	1
Dual-A.	adjustable	2	03807.400000	R212512A	1
Dual-A.	adjustable	2 middle	03806.400000	C201735A	1
50 mm 3 x 63 A system					
Mono-A.	adjustable	1	03805.500000	A222134A	1
Dual-A.	adjustable	2	03807.500000	Z213025A	1
Dual-A.	adjustable	2 middle	03806.500000	V206604A	1
60 mm 3 x 63 A system					
Mono-A.	adjustable	1	03805.600000	T222887A	1
Dual-A.	adjustable	2	03807.600000	X213529A	1
Dual-A.	adjustable	2 middle	03806.600000	O211476A	1
Dual-A.	adjustable	1	03807.610000	D214547A	1
Dual-support	adjustable	0	03807.630000	G215056A	1

dimensions of adapters for busbar systems



D0 Linobloc for Neozed D02

- Direct fixing onto 60 mm busbarsystem

Size	Pole	Number of modules	Cat. Number	Ref. Number	Pckg
up to 63 A	1x3	4.5	04963.063000	P302739A	1
up to 63 A	2x3	4.5	04966.063000	Q302740A	1

