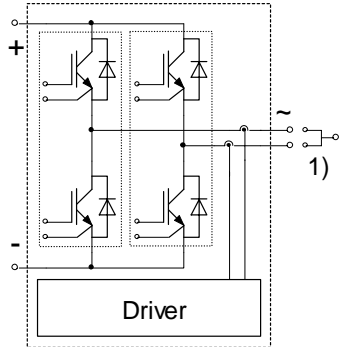
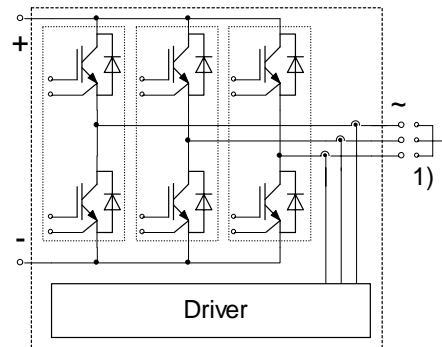


Circuit Diagrams

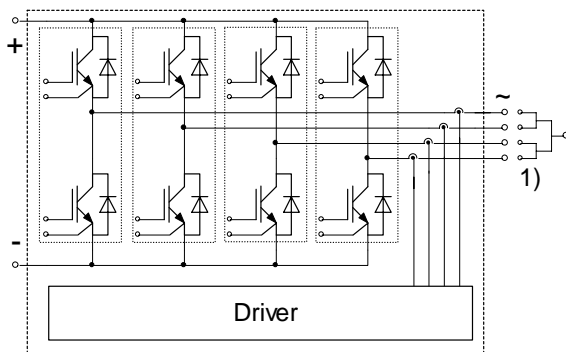
SKiiP: 2-fold „GB“ (Case S2; S23)



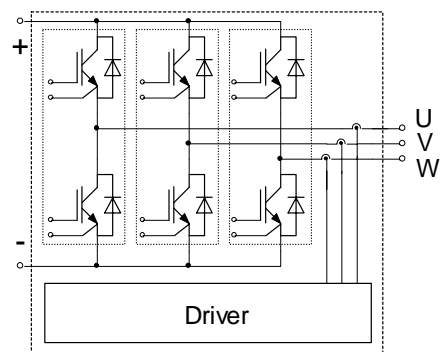
SKiiP: 3-fold „GB“ (Case S3; S33)



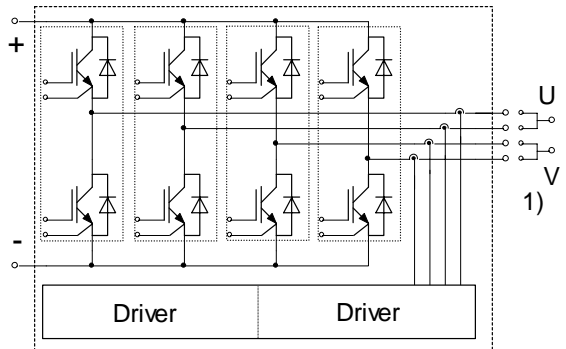
SKiiP: 4-fold „GB“ (Case S4; S43)



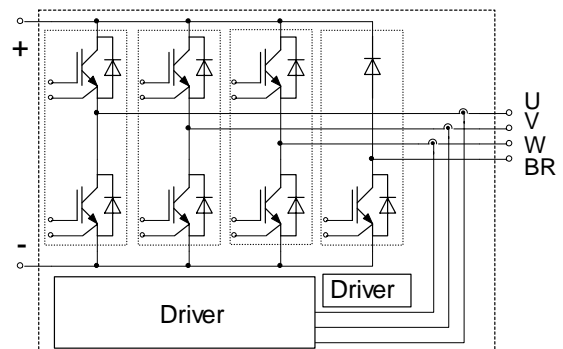
SKiiP: 3-fold „GD“ (Case S3; S33)



only SKiiP2: 4-fold „GH“ (Case S5GH)



only SKiiP2: 4-fold „GDL“ (Case S5GDL)



1) AC connection busbars must be connected by the user, busbars for 2-,3- and 4-fold SKiiP are available on request

