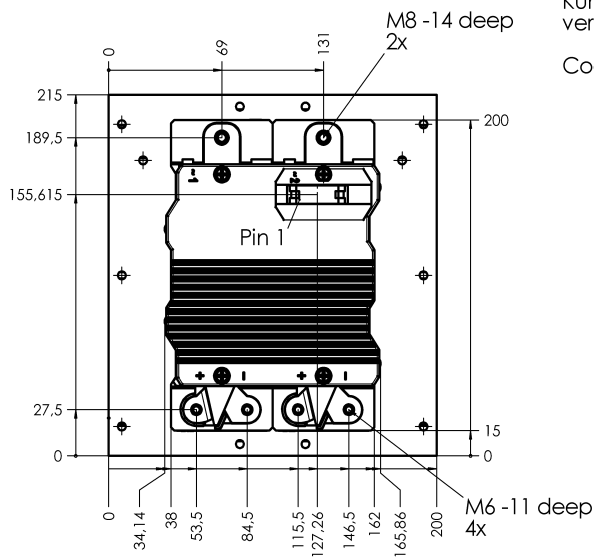
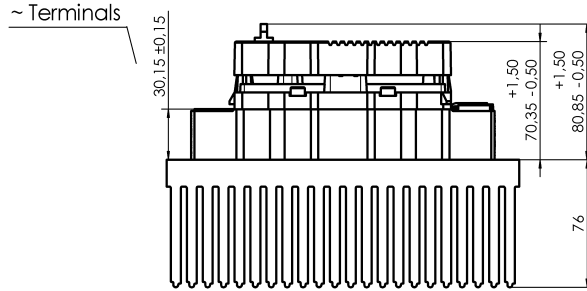
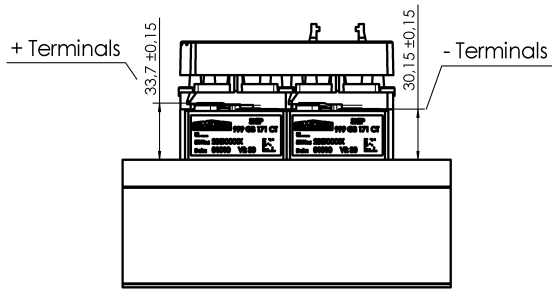


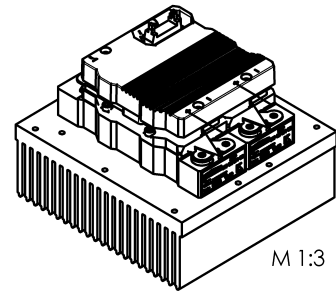
SKiiP 3

Case S 23 mounted on PX16 heat sink



Kühlkörperdarstellung vereinfacht

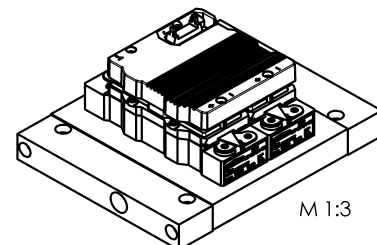
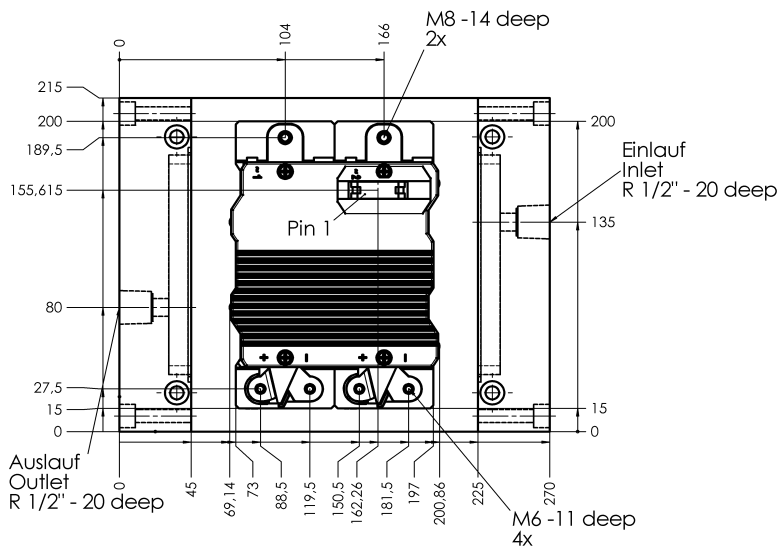
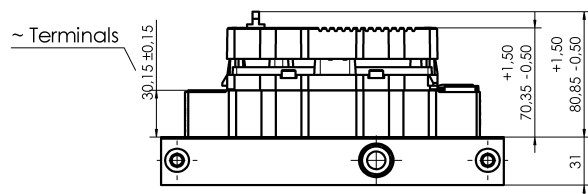
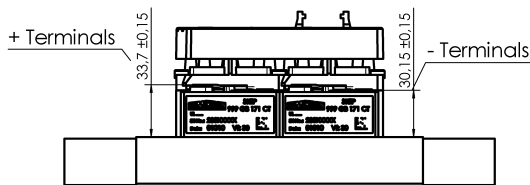
Cooler simplified



weight without heat sink: 1,7 kg

PX 16/200: 5,4 kg

Case S 23 mounted on liquid cooled heat sink NWK 40

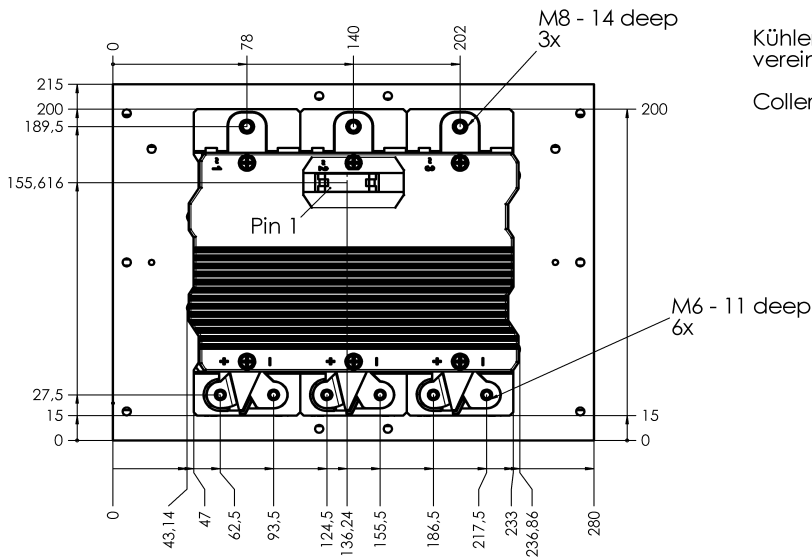
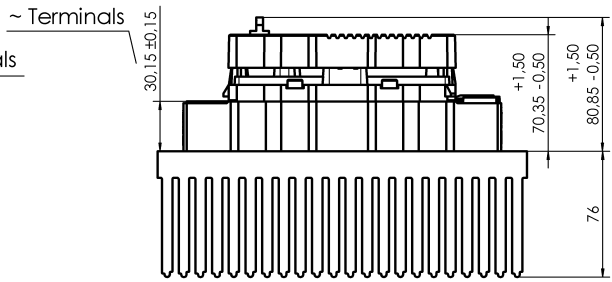
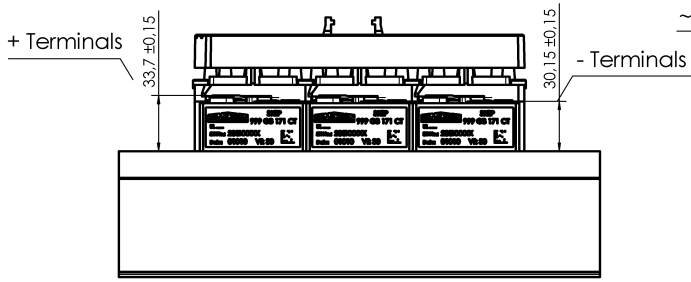


NWK 40/180:

6,5 kg

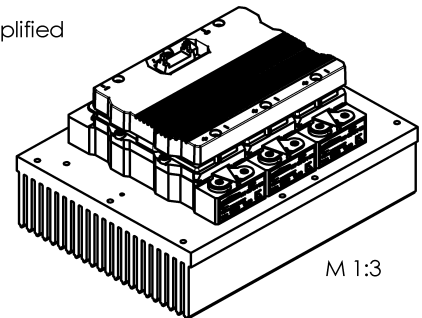
SKiiP 3

Case S 33 mounted on PX16 heat sink



Kühlerdarstellung vereinfacht

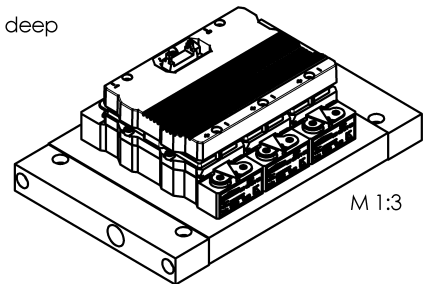
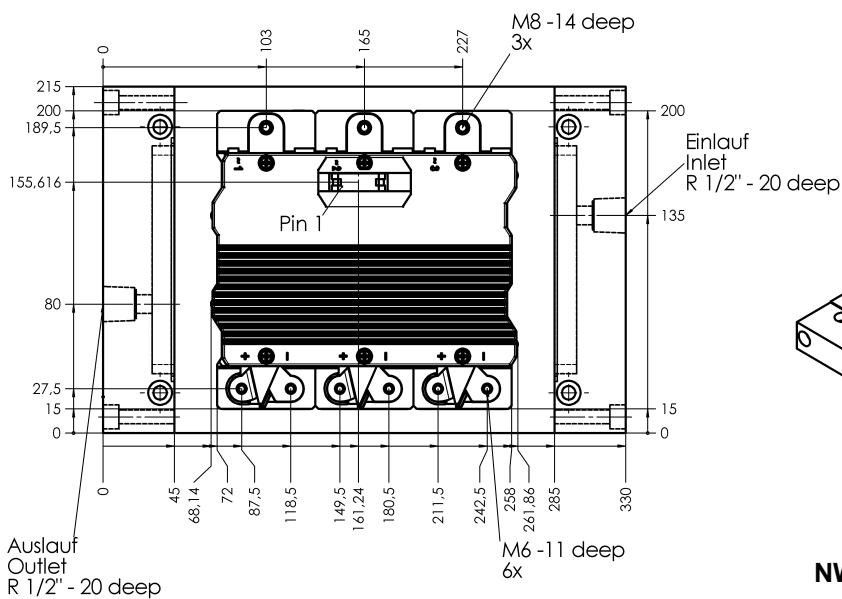
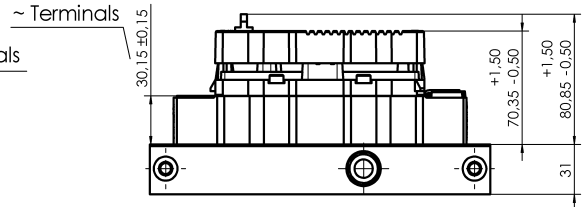
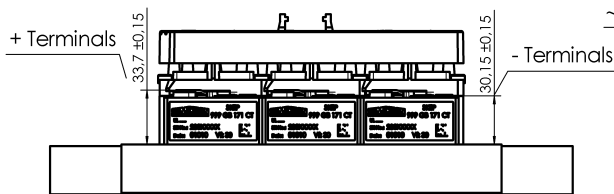
Coller simplified



weight without heat sink: 2,4 kg

PX 16/280: 7,5 kg

Case S 33 mounted on liquid cooled heat sink NWK 40

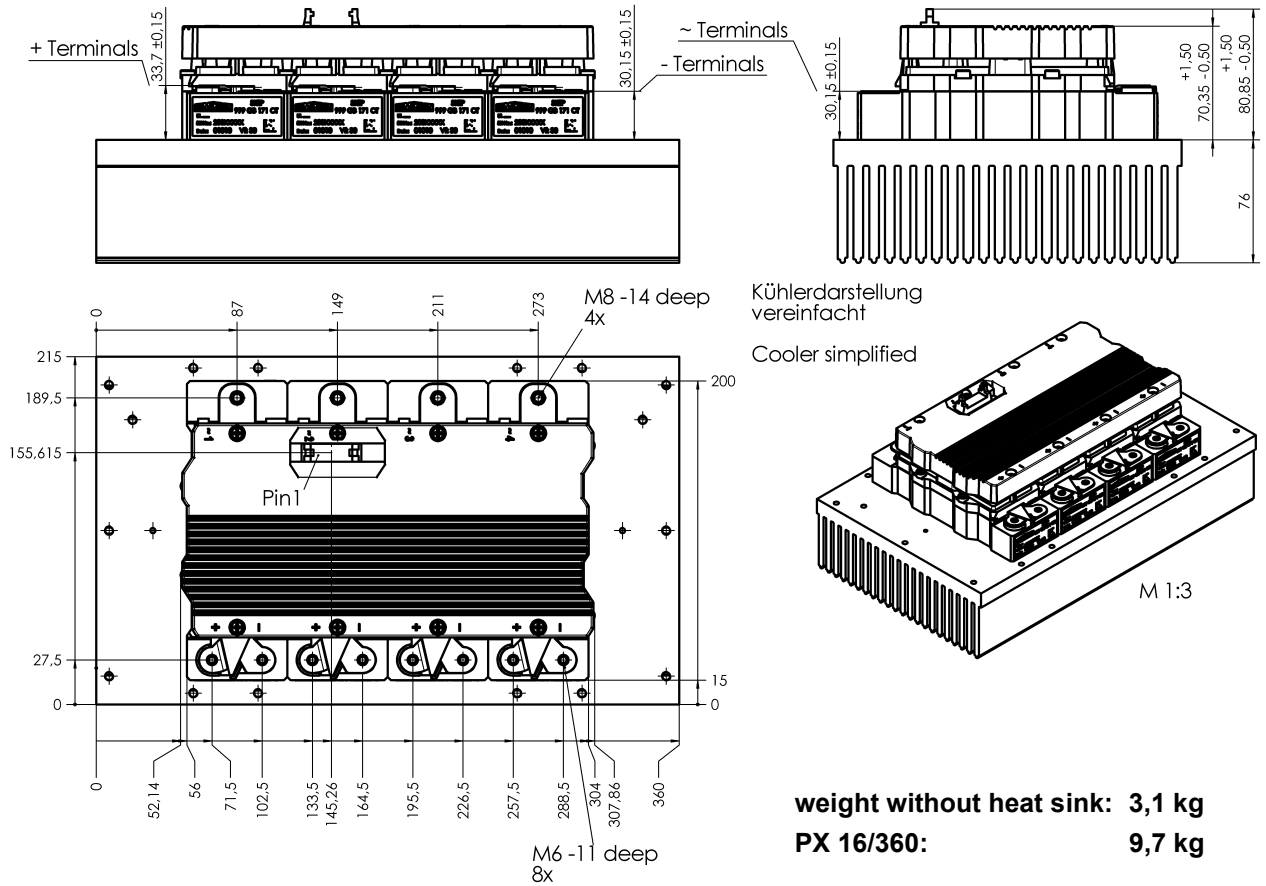


NWK 40/240:

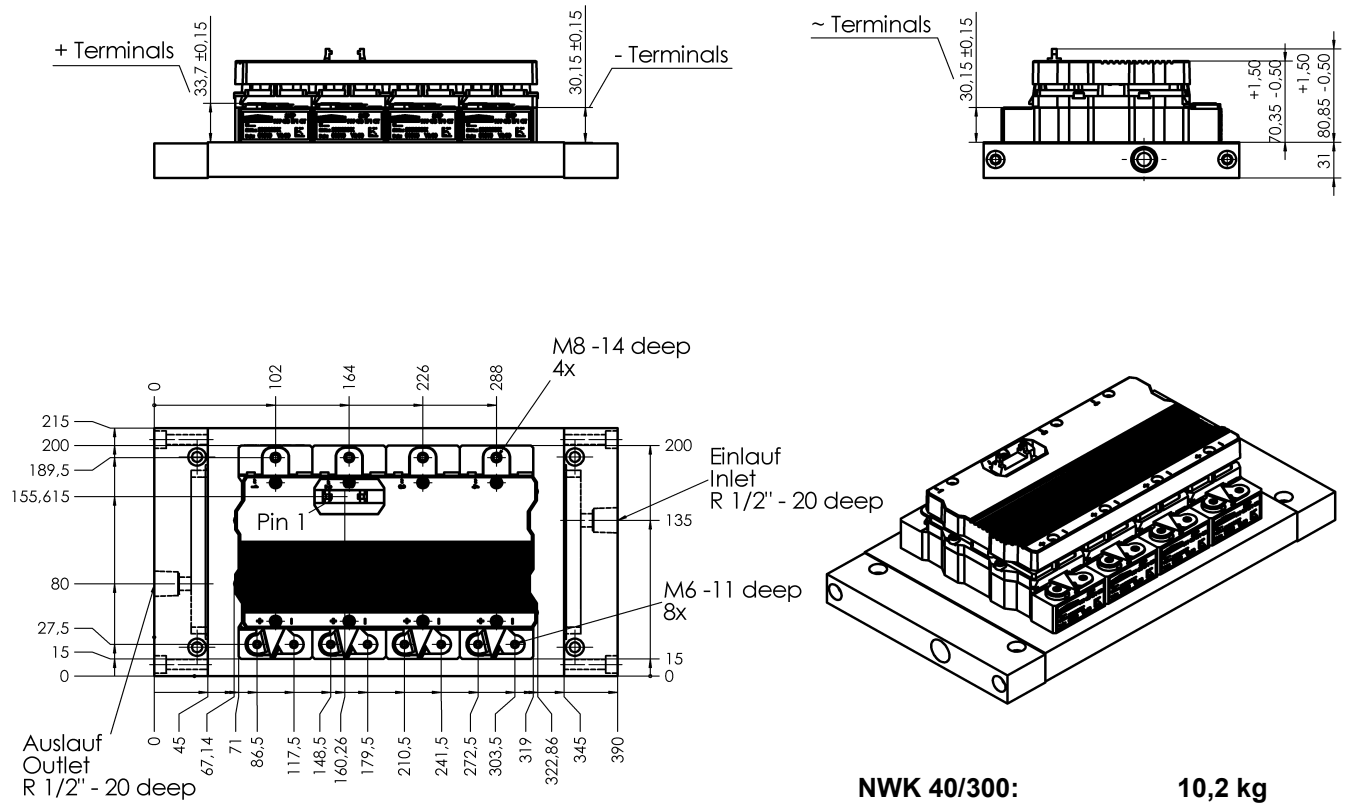
8,3 kg

SKiiP 3

Case S 43 mounted on PX16 heat sink

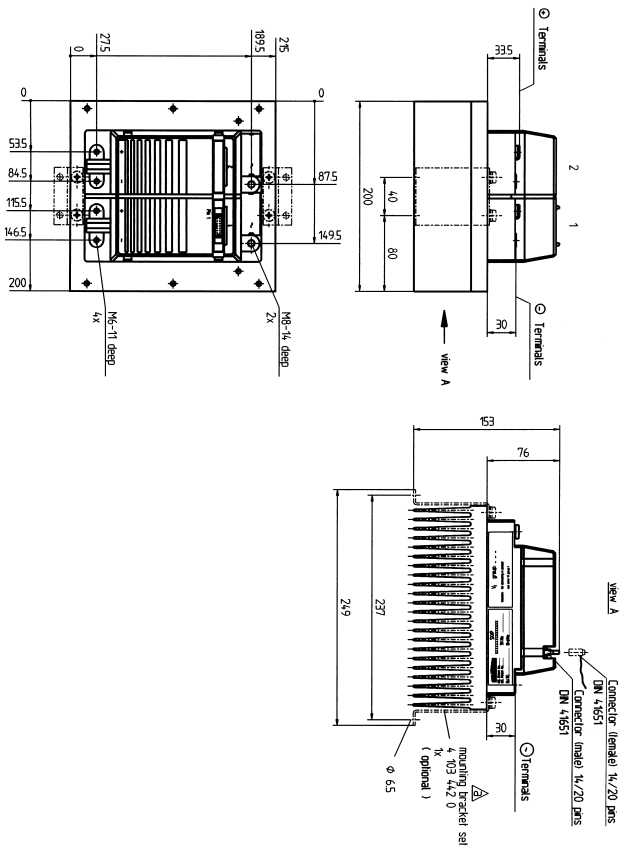


Case S 43 mounted on liquid cooled heat sink NWK 40



Case S2

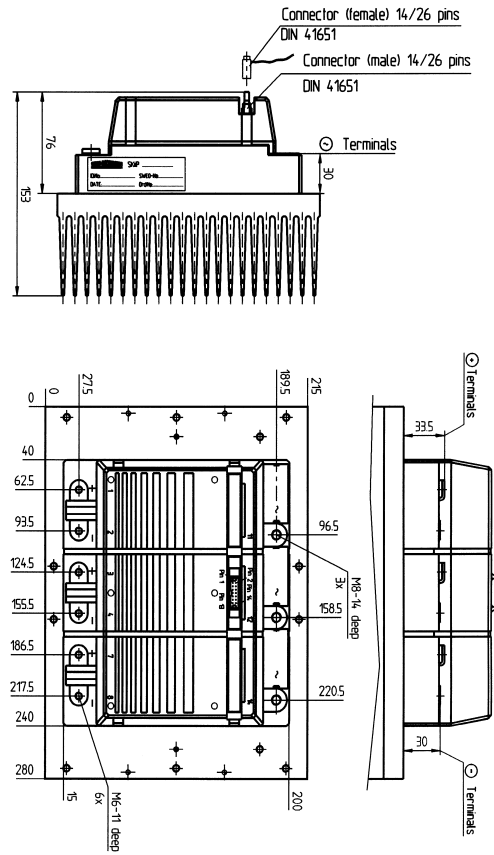
SKiiP 2 GB 2-fold



weight without heat sink: 1,85 kg
P16: 4,7 kg

Case S3

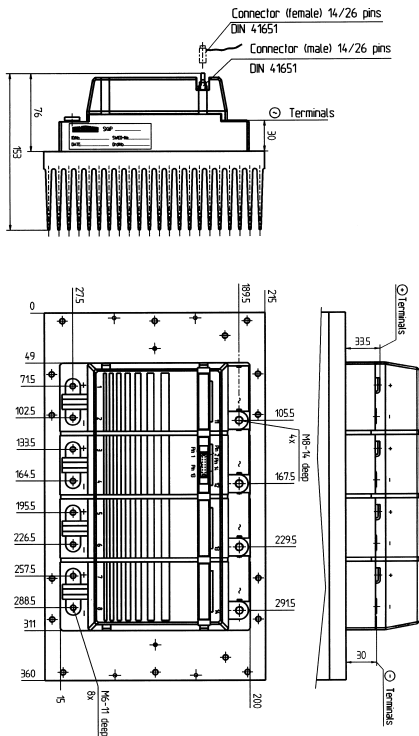
SKiiP 2 GB 3-fold



weight without heat sink: 2,72 kg
P16: 6,6 kg

Case S4

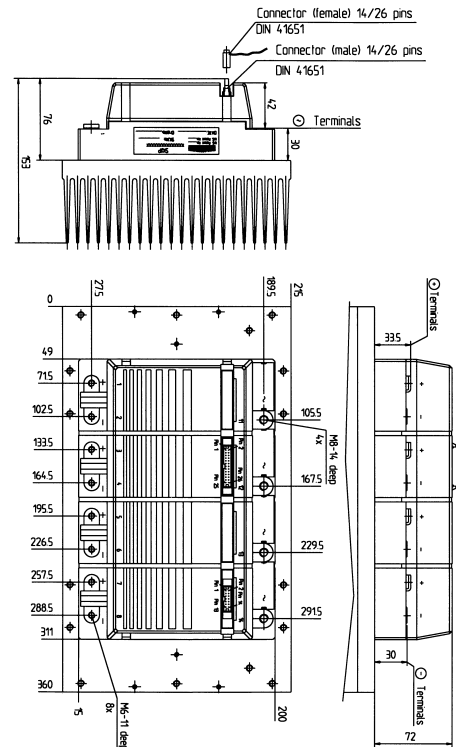
SKiiP 2 GB 4-fold



weight without heat sink: 3,54 kg
P16: 8,46 kg

Case S5

SKiiP 2 GDL 4-fold



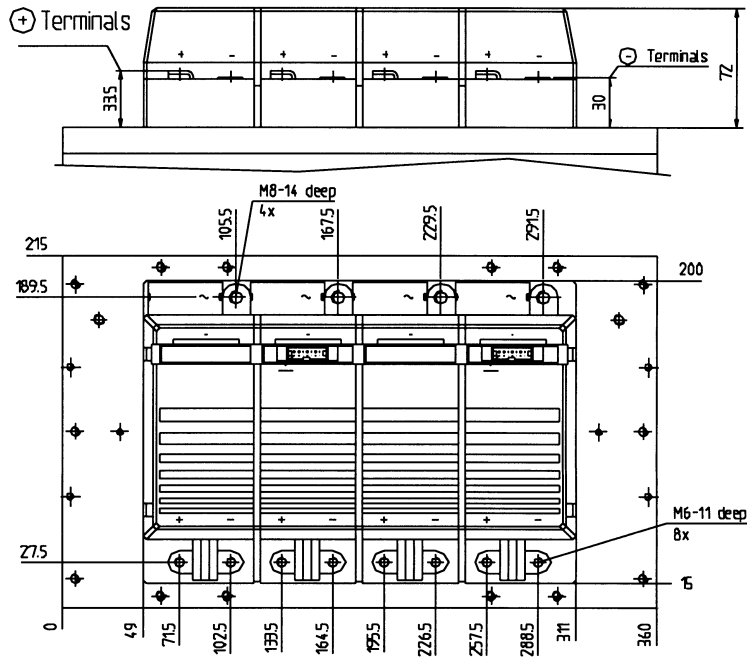
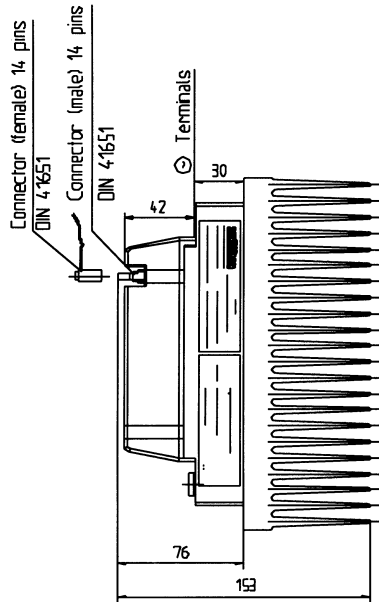
weight without heatsink: 3,54 kg
P16: 8,46 kg

CASSEFOU

Case S5

SKiiP 2 2*GB 2-fold

CASES5GH



weight without heat sink: 3,54 kg
 P16: 8,46 kg