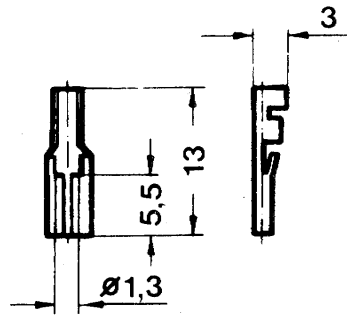


Connectors

For SEMIPACK® 0 and SKB 33

Dimensions in mm



No. 31683400 Female plugs for the gate terminals round 1,3 mm dia for SKKT/H15 and SKB 33

For SEMIPACK® 1: Gate Double Plug with leads

Type	Sequence ¹⁾	Leadcolour	Ident No.
<p>SKKT 20/... 106/..</p>	K G K K G G	blue yellow blue yellow	99 16 11 10
<p>SKKH 27/... 106/..</p>	— — K G	— — blue yellow	99 16 11 83
<p>SKKT 20B... 106B..</p>	G K K K G	yellow red red yellow	99 16 11 80

¹⁾ K = aux. cathode; G = Gate; lead length 280 mm acc. to UL 94-0; Ident No. is for one pair except for SKKH