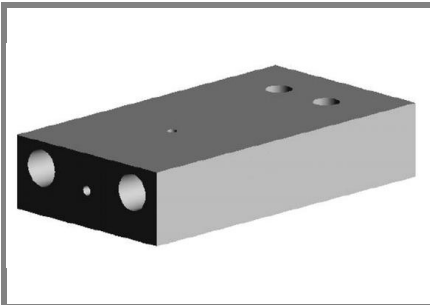


# WF 7



**Heatsink**

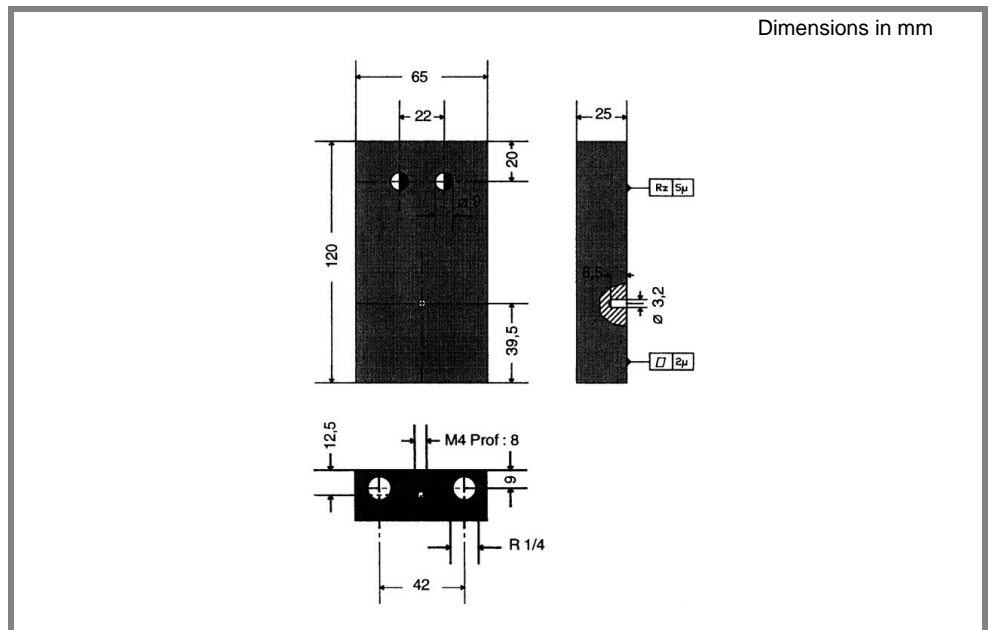
Standard lengths	n	b / d Ø mm	$R_{thw} (H_2O: V_W/t)$ water cooling K/W	$R_{thw} (H_2O: V_W/t)$ water cooling K/W	w kg
2 x WF 7		19	0,049 (2 l/min)	0,0335 (4 l/min)	3
		25	0,037 (2 l/min)	0,024 (4 l/min)	
		32	0,0315 (2 l/min)	0,019 (4 l/min)	
		40	0,029 (2 l/min)	0,017 (4 l/min)	
2 x WF 7		19	0,027 (6 l/min)		3
		25	0,019 (6 l/min)		
		32	0,015 (6 l/min)		
		40	0,0135 (6 l/min)		

## Liquid cooling for capsules

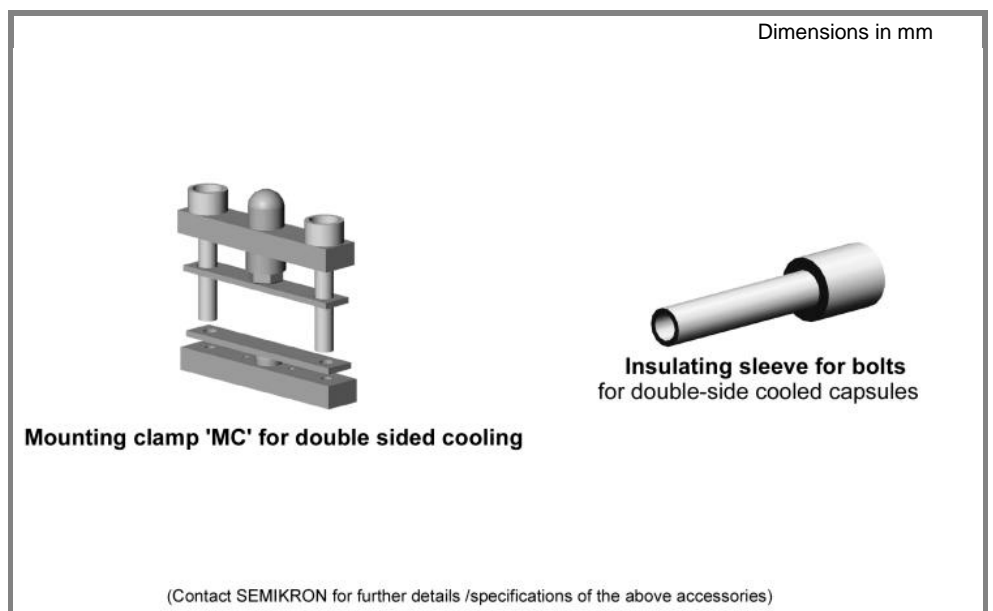
### WF 7

#### Features

- Intended for double sided cooling of capsules devices
- Designed for water/liquid cooling



WF 7 general profile dimensions (w = 1,5 kg)

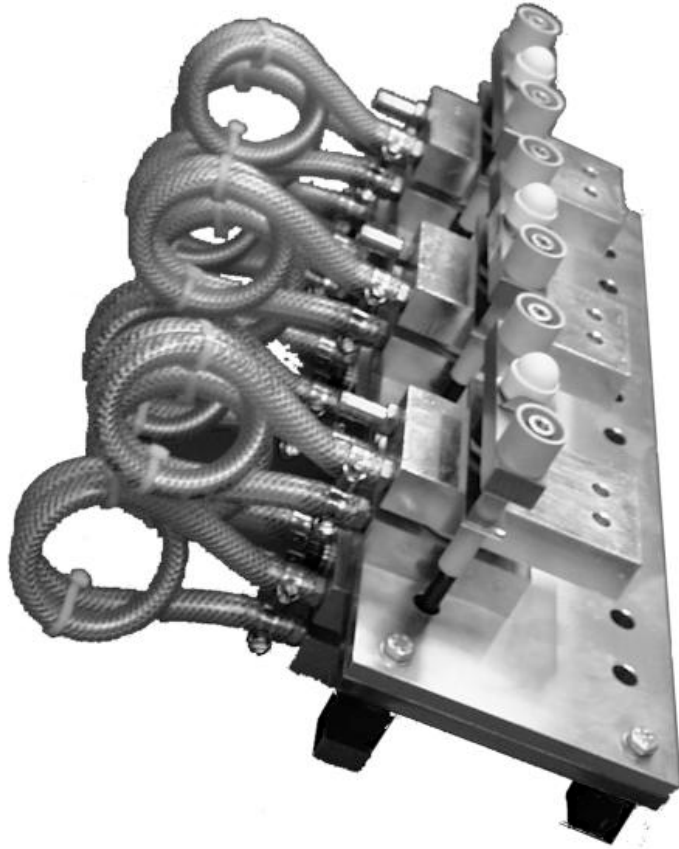


**Mounting clamp 'MC' for double sided cooling**

**Insulating sleeve for bolts for double-side cooled capsules**

(Contact SEMIKRON for further details /specifications of the above accessories)

WF 7 standard accessories



1. Application example using heatsinks WF 1 and WF 7 with capsules to realise a three phase rectifier bridge stack